

TECHNICAL NOTE – RL2400S

CABLING AN RL-2400S TO A SIXNET PLC (SIXTRAK, GATEWAY & VERSATRAK)

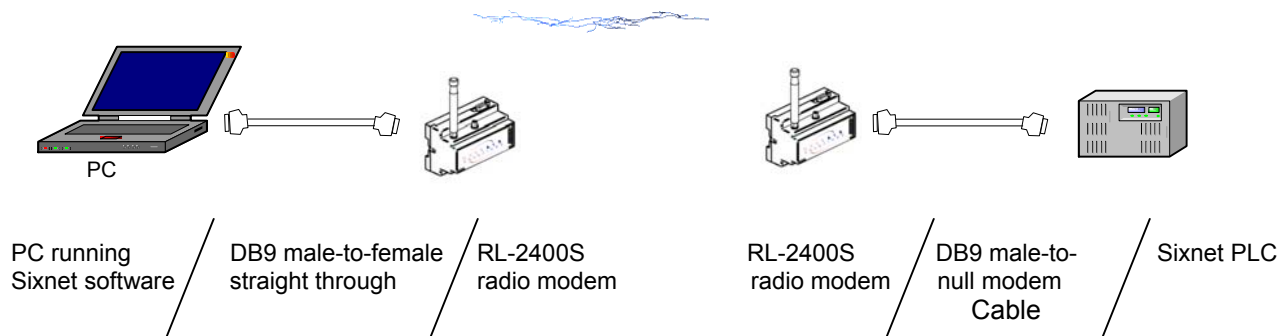
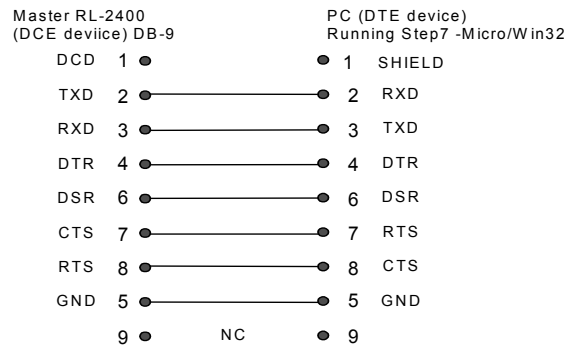
Objective: This Application Connection Guide is a guide to setting up a wireless Sixnet PLC network using RL-2400S radios. The radios are set up to be transparent (wire-replacer) to the PLC network.

The following note describes the cable configuration from the remote RL-2400S radio modem to Sixnet PLCs. Three models of Sixnet PLCs have been evaluated using the RL-2400S radio modem.

Cable Configuration – Sixnet PLC

The Sixnet controllers tested were the Sixtrak, Gateway and VersaTrak. The cable descriptions below apply to all three units.

Straight through cable:



Master and remote radios are to be set up as follows:

- Baud rate
- 9600
- Parity no
- Data bits 8
- Stop bits 1
- Hardware handshaking enabled