

## TECHNICAL NOTE – RL2400S

### CABLING AN RL-2400S TO A SIXNET PLC (SIXTRAK, GATEWAY & VERSATRAK)

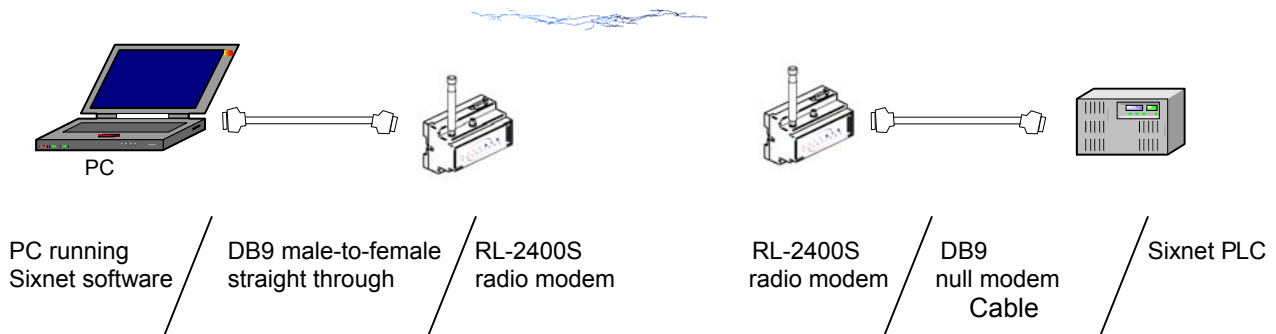
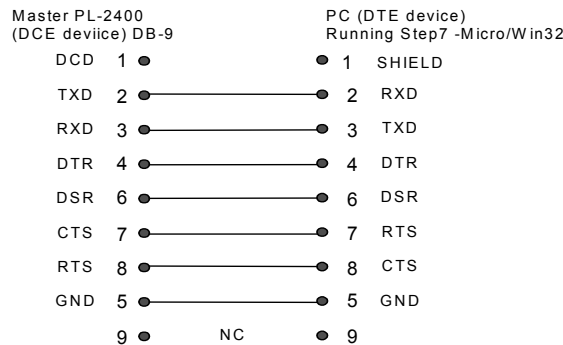
**Objective:** This Application Connection Guide is a guide to setting up a wireless Sixnet PLC network using RL-2400 radios. The radios are set up to be transparent (wire-replacer) to the PLC network.

The following note describes the cable configuration from the remote RL-2400 radio modem to Sixnet PLCs. Three models of Sixnet PLCs have been evaluated using the RL-2400 radio modem.

#### Cable Configuration – Sixnet PLC

The Sixnet controllers tested were the Sixtrak, Gateway and VersaTrak. The cable descriptions below apply to all three units.

Straight through cable:



**Master and remote radios are to be set up as follows:**

- Baud rate
- 9600
- Parity no
- Data bits 8
- Stop bits 1
- Hardware handshaking enabled